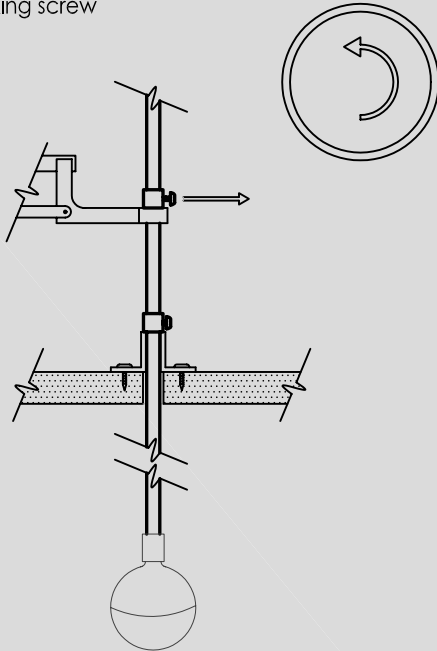


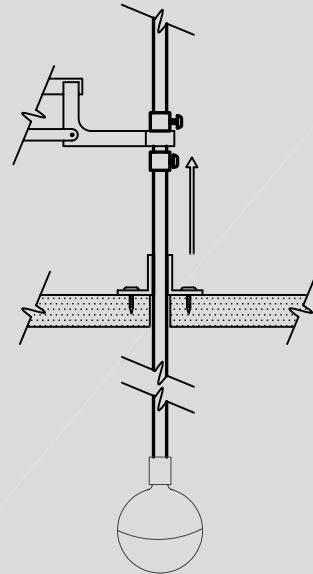
1

Unscrew the upper stop locking screw



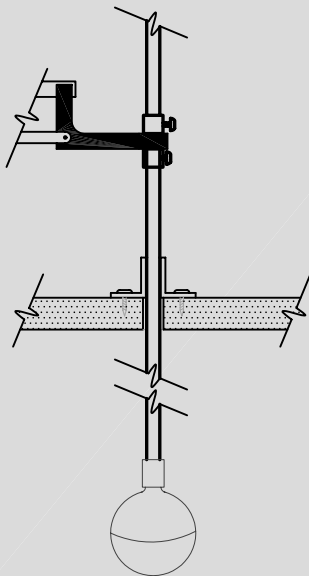
2

Pull up the float rod until the lower stop engages the control arm into the upper position



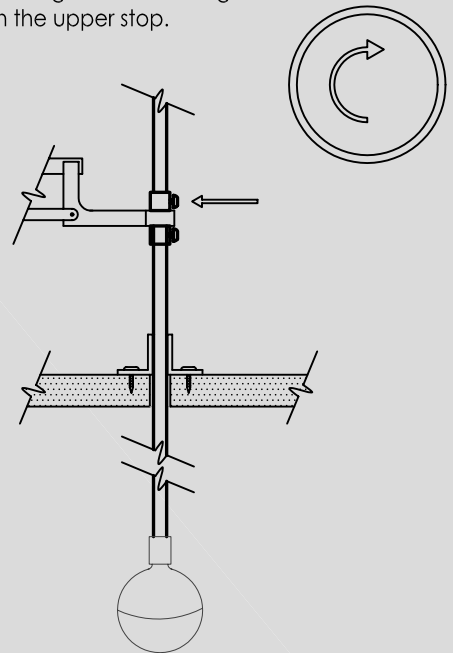
3

Lower the rod slightly so that the control arm does not become pinched between the two stops



4

Secure and tighten the locking screw on the upper stop.



Adjusting the float

Required before installation

4