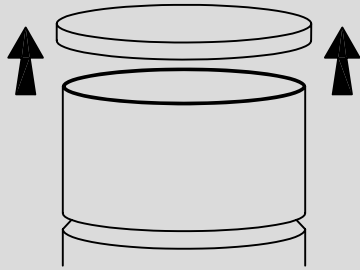


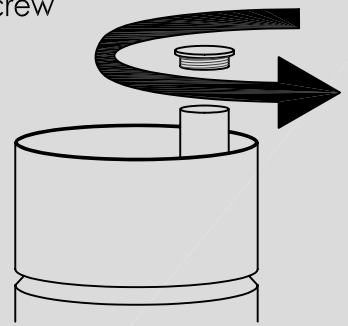
1

Remove the tank lid



2

Remove the screw cap from the filter housing



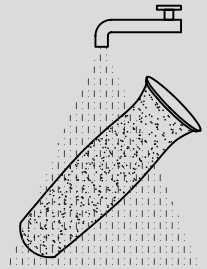
3

Carefully remove filter from housing



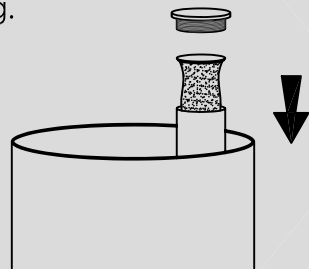
4

Rinse filter for 3 minutes under water or soak for 3 minutes in vinegar.



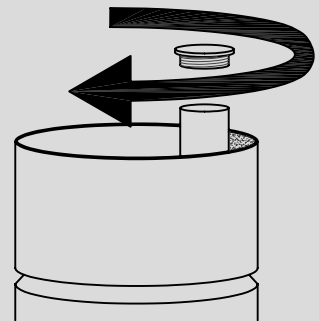
5

Carefully reinstall filter in housing.



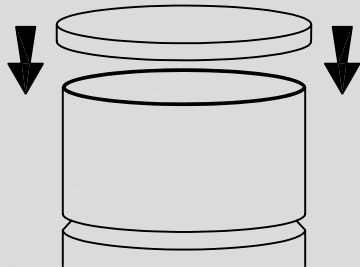
6

Screw back the cap on the filter housing



7

Replace the tank lid



Cleaning the filter

Do not use the bathtub, shower or laundry while cleaning the tank

